

PRODUCT CODE

GIT-1

PRODUCT DESCRIPTION

An automatic control system for gutters and downspouts, employs one or more GIT-1 Gutter Ice Sensors and an APS-3C Control Panel.

Heaters operate only if moisture occurs at temperatures below 38°F(3.3°C), thus saving energy and ensuring reliable ice melting.

Since the GIT-1 mounts in gutters and downspouts it senses actual environmental conditions. This improves sensing accuracy. Solid state moisture and temperature sensors provide the sensitivity required for effective automatic control. Ice bridging occurs if incomplete melting occurs near the heater or sensor leaving an air space.

The air insulates thus preventing effective heater and sensor operation. The GIT-1's unique microcontroller design frees its moisture sensor from ice bridging.

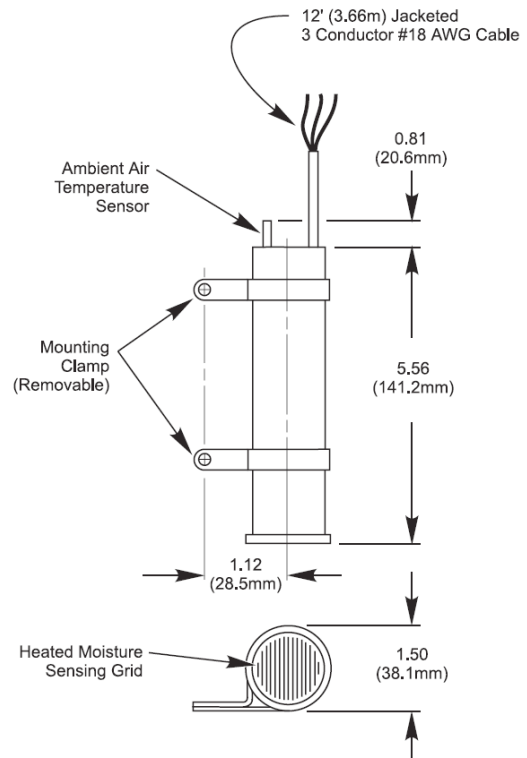
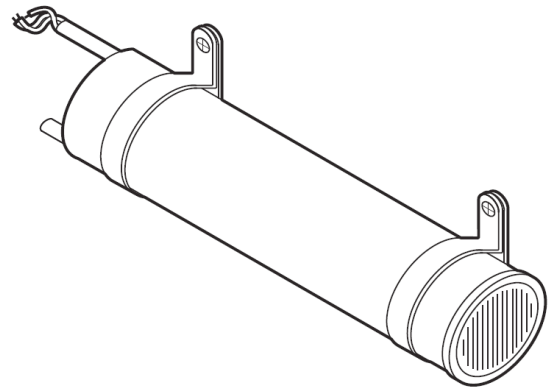
Additional features prevent heater operation under conditions favorable to heater ice tunneling. Low Voltage operation simplifies installation. Sensors can be located up to 2,000' (609.6m) away from the control panel.

ADVANTAGES

- Minimum snow melting costs
- No supervision required
- Simple installation

SPECIFICATION

| | |
|------------------------|--|
| Area of Use | Gutters |
| Heater hold-on timer | None |
| Activation Temperature | 38°F (3.37°C) |
| Circuit type | NEC Class 2 |
| Supply voltage | 24 VAC (Supplied by panel) |
| Bus-wire type | 3-wire jacketed cable |
| Lead Length | Up to 2,000' (609m) using 12 AWG 3-wire jacketed cable Up to 500' (152m) using 18 AWG 3-wire jacketed cable |
| Operating temperature | -40°F to 160°F (-40°C to 71°C) |
| Storage temperature | -50°F to 180°F (-45°C to 82°C) |

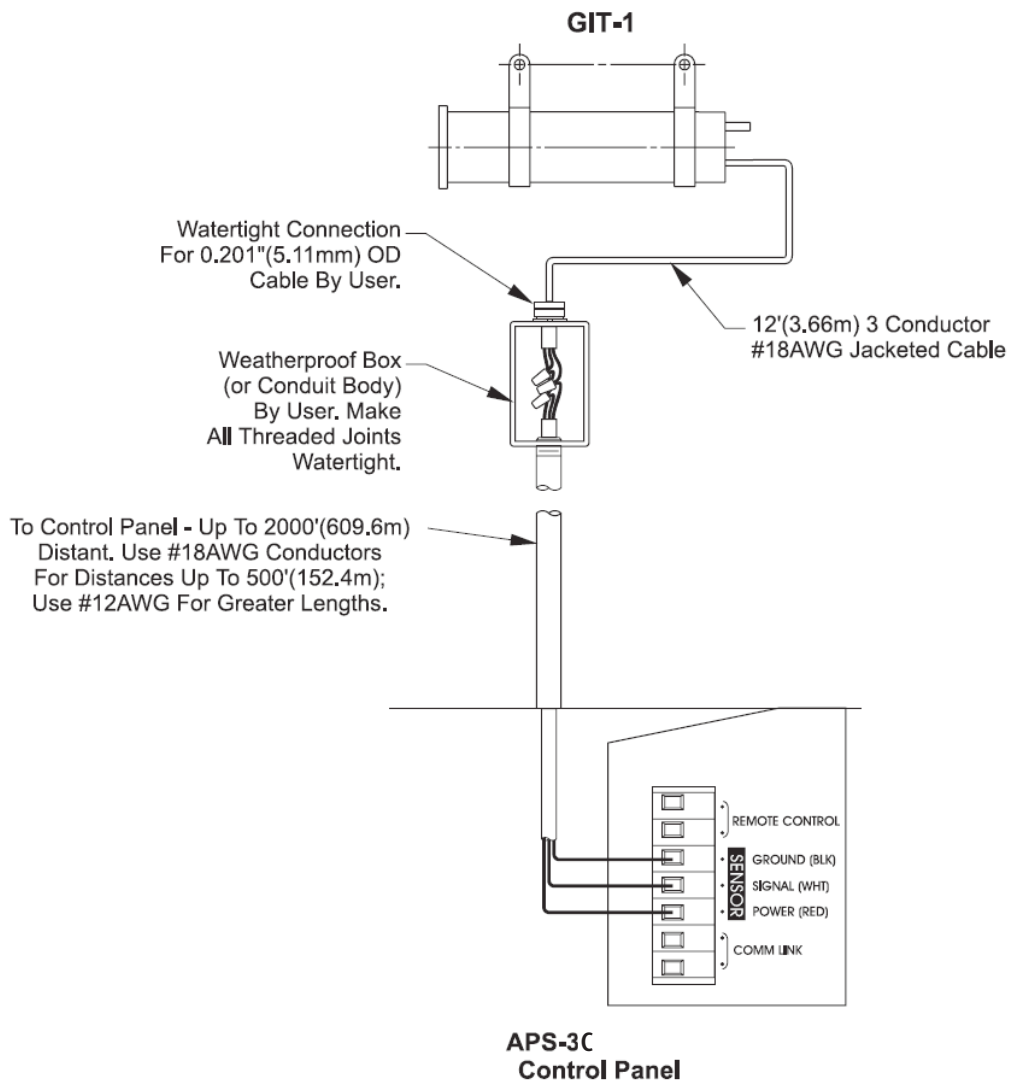


INSTALLATION

For the installation, choose an unobstructed, elevated location exposed to snowfall.

Gutters: Position sensor within 1/4" (6.4mm) of gutter bottom with moisture sensing grid facing downstream (ambient air temperature sensor facing up stream). Sensor may be fastened to the fascia using the mounting clamps and gasketed screws (not furnished).

Downspouts: Fold cable back parallel to sensor body and secure with mounting clamps. Suspend sensor in downspout with moisture sensing grid facing up (ambient air temperature sensor facing down).



PRODUCT LISTING

| Code | Description | Amp (A) |
|-------------|--|---------|
| COMMBOX-600 | Plug-and-Play outdoor controller with 4 x 50A/3pole contactors allowing for a total load of 600A with a minimum power supply of 60A. Comes in LED enclosure with GFEP protection, built-in Digital controller and ground temperature sensor. | 600A |
| AIRsense | Outdoor moisture and temperature sensor, supplied with mounting bracket. | N/A |
| APS-3C | Snow Melting Controller with incl. slab sensor and built-in dry contacts for EMC and remote control. Rated 208-277V single phase. | N/A |
| SIT-6E | Surface-mounted snow and ice sensor used with APS series panels. Detects moisture and temperatures and triggers below 38F for energy-efficient operation. Easy mounting in slabs with multiple conduit connections. | N/A |
| CIT-1 | The maintenance free CIT sensors activate snow melting systems below 38°F and provide automatic triggering of APS series panels. Mast or roof mounting. | N/A |
| GIT-1 | GIT-1 gutter sensor for APS-3C panel. Measures moisture & temperature. Active below 38F. | N/A |
| GF-PRO | Automatic Controller with GFEP and GF Load | 30A |

WARRANTY & MAINTENANCE

When installed according to the installation manual, the GIT-1 is covered with Warmup's 2-year manufacturer warranty.

TECHNICAL SUPPORT

Warmup is available 24/7/365 at (888) 927-6333.

For quotes, layouts and specific technical information, contact us at:

Warmup USA

52 Federal Rd #1F, Danbury, CT 06810

(888) 927-6333

us@warmup.com

Warmup CANADA

374 Wellington St W, Toronto, ON M5V 1E3

(905) 990-2075

ca@warmup.com

RELATED PRODUCTS

- CIT-1 Aerial Snow Sensor - see WSC-1104
- SIT-6E Pavement Mounted Snow Sensor - see WSC-1304
- APS-3C Snow Melting and Gutter De-icing - see WSC-1404
- GF-PRO Snow Switch Model - see WSC-1504